

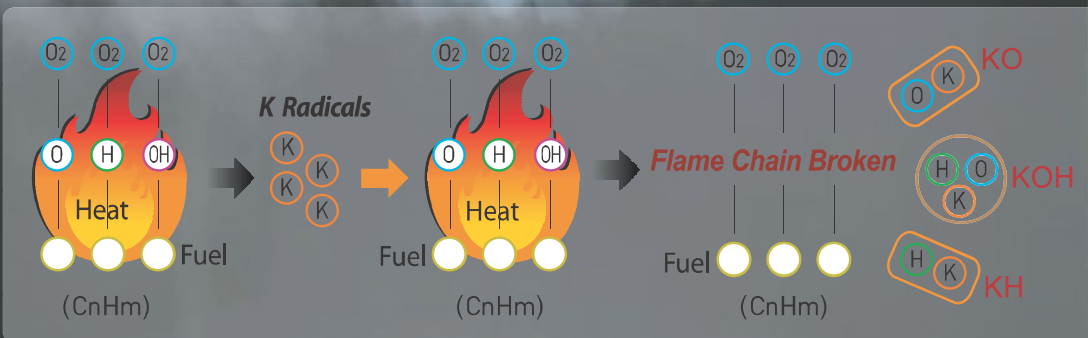
● Fire Extinguishing Aerosol Systems



● Principles of extinguishing

Potassium(k) Radicals Discharge
Discharging Times(for a long times,more than 25 seconds)

Principles of extinguishing



Step 1 Fire is propagated by the 'flame chain carriers' O, H and OH.

Step 2 Firestorm introduces potassium(K) radicals into the 'flame chain reaction'.

Step 3 Potassium(K) radicals attach themselves to O, H & OH and remove them from the 'flame chain' without depleting(KO, KOH, KH combined)

● **Specifications(Firestorm)**



- AF - A1 - 100E (100 g)
- AF - A1 - 200E (200 g)
- AF - A1 - 500E (500 g)
- AF - A1 - 850E (850 g)
- O.D.P(Ozone Depletion Potential) : "0"
- G.W.P(Global Warming Potential) : "0"
- A.L.T(Atmospheric Life Time) : **Very low**
- Non Toxic, Non corrosive substance.
- Not Harmful to people.
- There is up to 24,000 V electrical conductivity.

Model	Weight of Extinguishing Agent (g)	Protected Volume (m ³) (Extinguishing Volume / Design Volume)	Diameter (mm)	Length (mm)	Discharge time (sec)	Weight (Kg)	Operation
AF-A1-100E	100	1.43 / 1.0	83.4	150.0	below 25	1.14	Electrical
AF-A1-200E	200	2.86 / 2.0	83.4	181.0	below 25	1.46	Electrical
AF-A1-500E	500	7.14 / 5.0	83.4	289.0	below 25	2.75	Electrical
AF-A1-850E	850	12.14 / 8.5	114.3	267.0	below 28	4.10	Electrical
AF-A1-2000E	2000	-----	-----	-----	-----	-----	-----

※ B-Class Fire

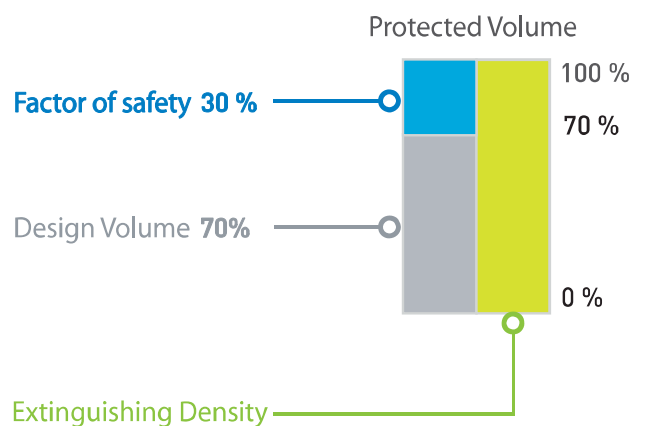
1. Factor of safety(design) : 30 % (ISO Standards)
2. Fire Standards : B - Class Fire
3. Surrounding Temperature : - 50 °C ~ 200 °C (- 58 °F ~ 392 °F)
4. Self Operation Temperature : 300 °C (572 °F)
5. Composition Materials

- KNO₃
- K₂CO₃
- Epoxy Resin
- Natural Marble

➔ **no Gunpowder Ingredient**

6. Discharging gas

- K (Potassium)



● Specifications(Firestorm Controller)

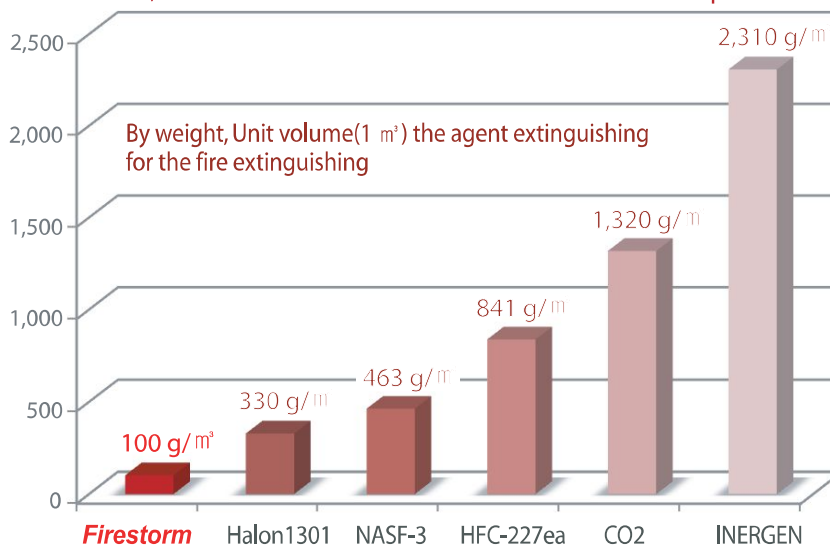


- AF - B1 - 1000 ▶ Mounted the Control Box (AC Type)
 - AF - B1 - 1000D ▶ Mounted the Control Box (DC Type)
 - Power Supply ▶ AC (Normal) / DC (Ship)
-
- Input Ports : 2 Detector
 - Main-Body : 1 Firestorm (AF-B1-2000)
 - Power-Pack : 4 Firestorm (AF-B1-2000P)
 - Main-Body + Power-Pack connection
Operate total 5 Firestorm

Model	Dimension (mm)	Materials	Power Supply	Input Detectors	Contact (Input / Output)
AF-B1-1000	600 x 800 x 300	Steel	220 VAC	Heat, Smoke, Flame	AF-B1-2000 x 4
AF-B1-1000D	600 x 800 x 300	Steel	24 VDC	Heat, Smoke, Flame	AF-B1-2000D x 4
AF-B1-2000	142 x 140 x 65	Steel	220 VAC	Heat, Smoke, Flame	2 Input/ 1 Output
AF-B1-2000D	142 x 140 x 65	Steel	24 VDC	Heat, Smoke, Flame	2 Input/ 1 Output
AF-B1-2000P	142 x 140 x 65	Steel	220 VAC	Heat, Smoke, Flame	4 Output

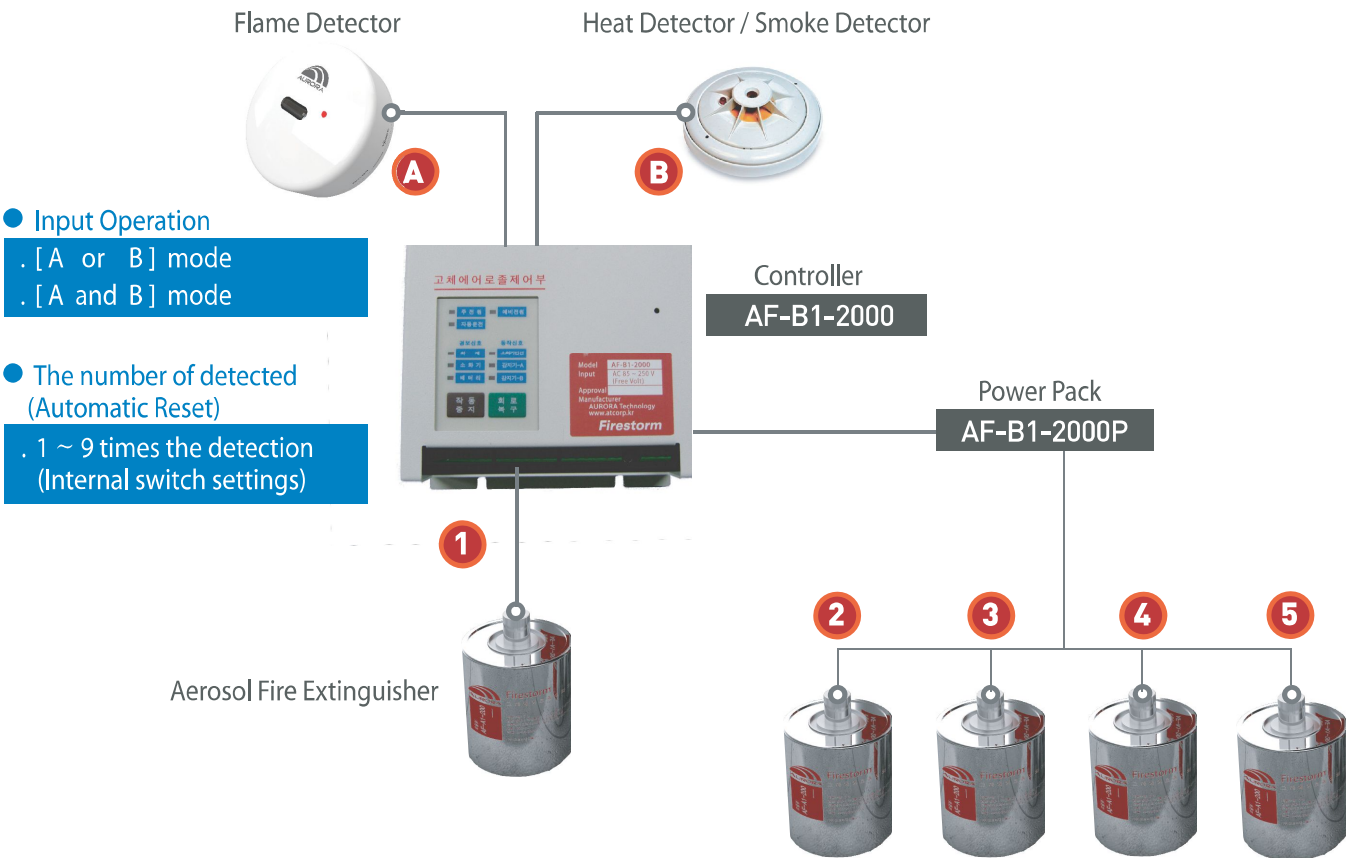
1. Output voltage : 15 ~ 28 VDC (type 24 VDC)
2. Type of fixing : Wall Mounting
3. Function Temperature : -10 °C ~ 80 °C (14 °F ~ 176 °F)
4. DC type controller is determined by the external supply voltage.
5. "AF-B1-1000/ 1000D" is type of Control Box

The principles of fire extinguishing aerosol or Halon fire extinguishers are the same.
However, three times the amount of halon has excellent fire performance.



Fire extinguishing capability

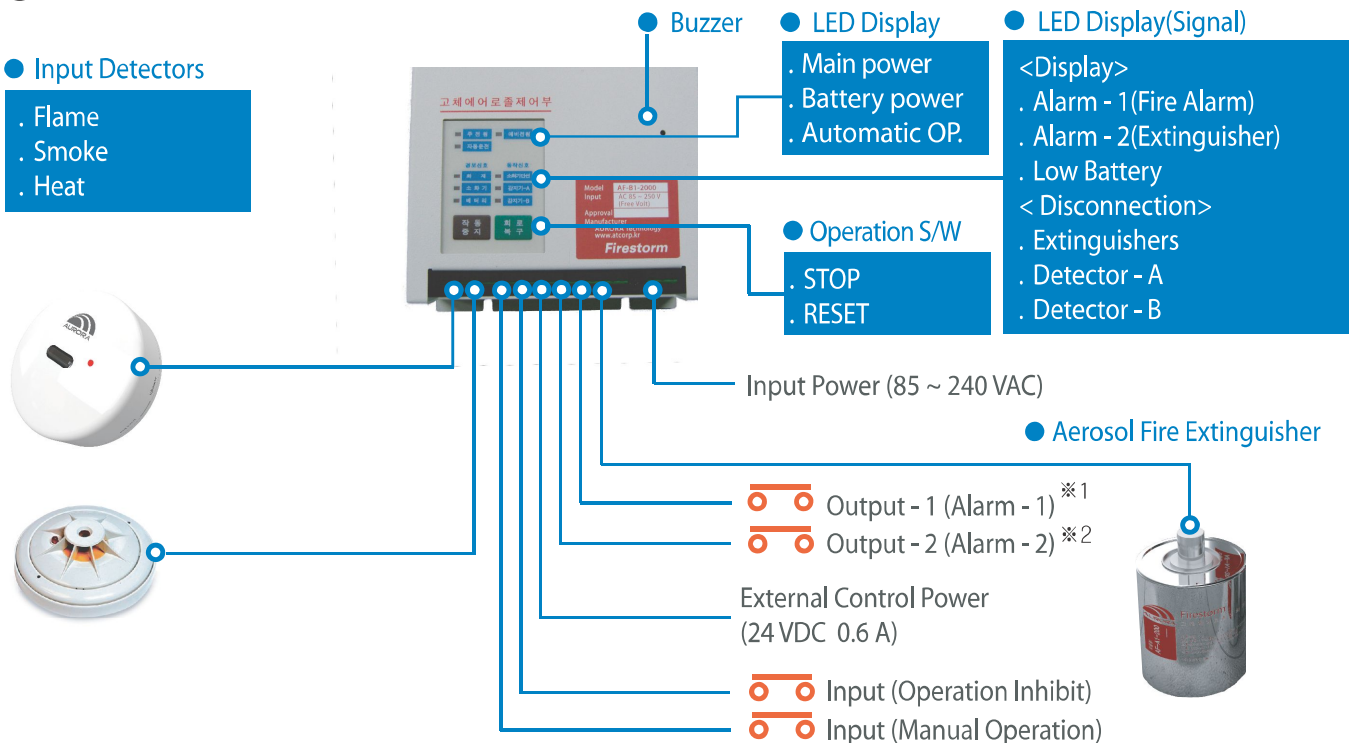
● **Configuration Control**



● **Control Connections**

● **Input Detectors**

- . Flame
- . Smoke
- . Heat



*1) Output - 1 (Alarm - 1) --> Fire Alarm Signal.

*2) Output - 2 (Alarm - 2) --> Fire Extinguisher Operation Signal.